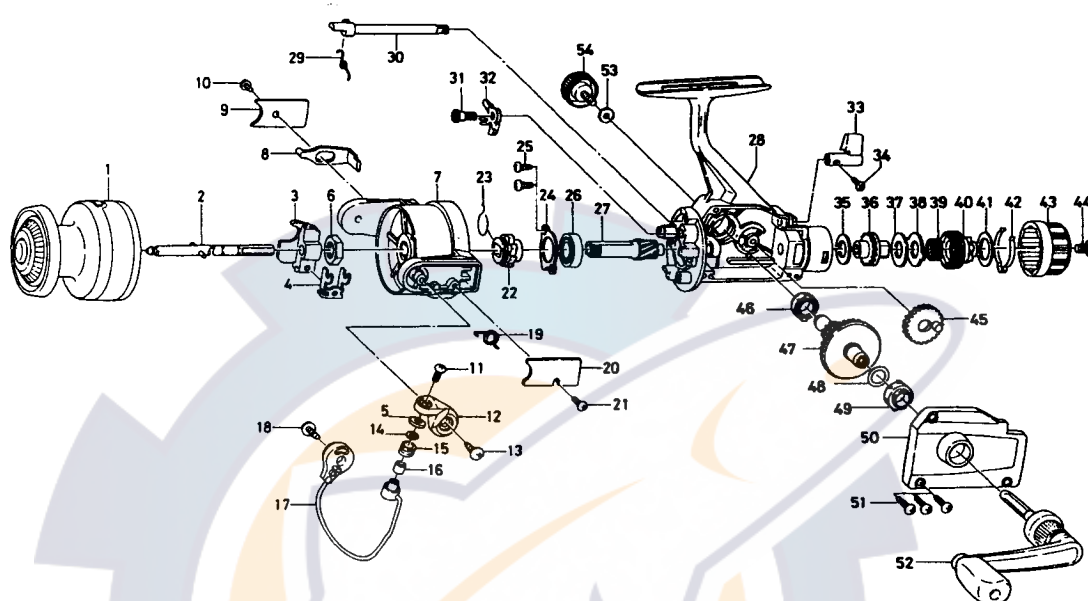




SPINNING REEL GS1350



Key No.	Parts No.	Parts Name	Key No.	Parts No.	Parts Name
1	E08-5102	Spool*	28	E08-4601	Body *
2	B83-4501	Main shaft	29	B44-8501	Anti-reverse cam spring
3	B97-9601	Oscillating slider	30	B44-8401	Anti-reverse cam
4	B97-9701	Oscillating slider retainer	31	B61-8101	Anti-reverse pawl screw
5	B97-9801	Line roller washer A	32	B90-3001	Anti-reverse pawl
6	B67-9401	Rotor nut	33	E08-3701	Anti-reverse lever
7	B81-8601	Rotor	34	B12-8201	Anti-reverse lever screw
8	B83-5701	Bail trip lever	35	B48-9901	Drag washer A
9	B74-7303	Bail trip cover	36	B83-3602	Click gear
10	B83-4402	Bail trip cover screw	37	B76-0501	Drag washer B
11	B67-9302	Line roller screw	38	B49-0102	Eared washer
12	B68-1102	Bail arm	39	B92-6703	Drag coil spring
13	B84-2102	Bail arm screw	40	B74-7603	Drag screw
14	B55-4301	Line roller washer B	41	B90-8201	Drag washer C
15	250-3921	Line roller	42	B74-7702	Drag washer spring
16	B45-1501	Line roller bushing	43	B82-5507	Drag knob
17	B84-1801	Bail	44	352-1105	Drag knob spring screw
18	B84-2102	Bail trip cam screw	45	B74-2501	Oscillating gear
19	B18-7702	Bail spring	46	B84-3901	Bushing
20	B45-0902	Bail spring cover	47	B83-4701	Drive gear
21	B83-4402	Bail spring cover screw	48	373-7800	Drive gear washer
22	B61-8001	Anti-reverse ratchet	49	B84-3901	Bushing
23	145-0501	Anti-reverse pawl spring	50	E08-4004	Side cover *
24	B45-6401	Bearing retainer	51	B83-5002	Side cover screw
25	B83-4402	Bearing retainer screw	52	E00-1602	Handle
26	634-1301	Ball bearing	53	B92-4902	Handle lock washer
27	B83-3501	Pinion gear	54	B92-5001	Handle lock screw

* 1986 Reel Model